

AQUACCESS FREE



TECHNICAL GUIDE

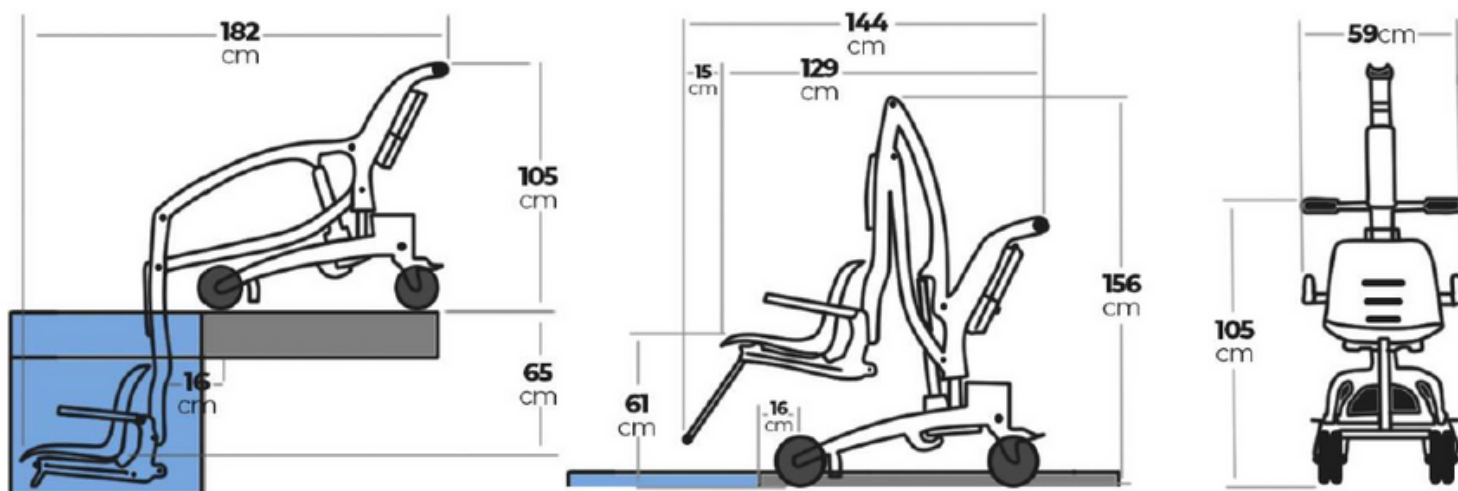


Aquaccess FREE is a mobile lift for swimming pools suitable for people with reduced mobility, ideal for transferring and moving from the locker room to the edge of the swimming pool.

CONTENT

General characteristics	02
Product accessories	03
Application and installation conditions	04
Warranty	08
References	08

GENERAL CHARACTERISTICS



Aquaccess FREE is equipped with medical wheels, a rechargeable battery and an actuator. This mobile lift can be used in indoor and outdoor pools.

DIMENSIONS :

- **Height:** 156 cm
- **Length:** 144 cm
- **Width (between armrests):** 59 cm
- **Seat height:** 61 cm
- **Handlebar height:** 105 cm
- **Handlebar width:** 57,5 cm



WEIGHT:

- **Weight:** 200 kg
- **Maximum weight capacity:** 135 kg

MATERIAL:

- **Frame:** ST-52 stainless steel (304 quality stainless steel)
- Wear and corrosion resistant electrostatic powder coating

COLOURS:

- White with orange spots, black armrests and gray wheels

LIFT DOWN TIME: 45 seconds

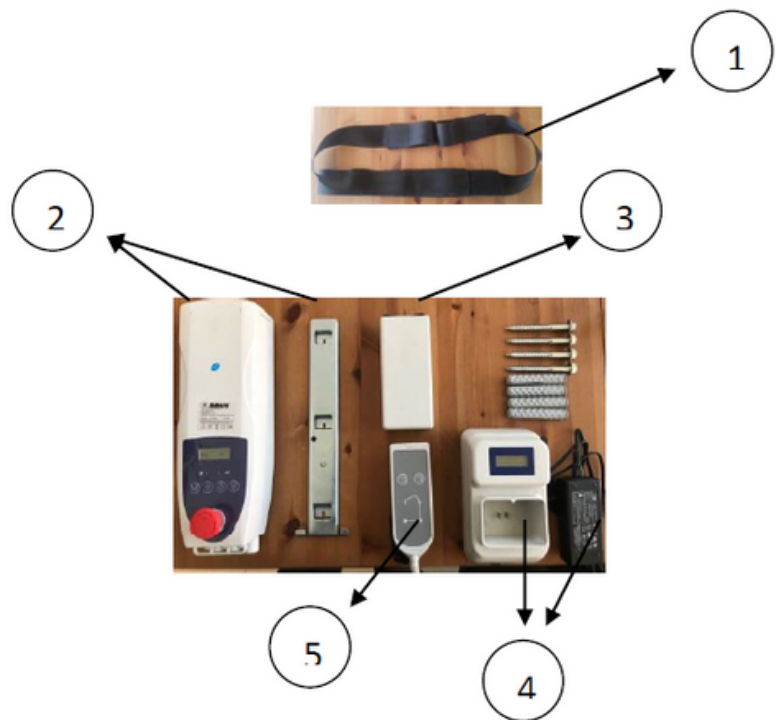
LIFT UP TIME: 55 seconds

ADVANTAGES:

- **Safety:** emergency button behind the front wheels, waterproof remote control, possibility of controlling from the power supply (in the event of a malfunction), brakes on the rear wheels for more stability
- **Practical:** detachable and rechargeable battery + charge indicator on the battery and on the charger
- **Ideal in wet areas:** suitable wheels, water-repellent seat, parts entering the water are made of stainless steel
- **Comfortable:** Adjustable seat mechanism to adjust distances in water and above water according to user demand. (± 100 millimeters)

PRODUCT ACCESSORIES

- 1- Seat belt
- 2- Control unit
- 3- Battery
- 4- Battery charger
- 5- Remote control



APPLICATION AND INSTALLATION CONDITIONS

RESPECT FOLLOWING RULES:

- To use the lift safely, you must follow the installation and operating instructions.
- Do not allow children to play with and around the lift.
- Do not expose electronic components to direct water pressure.
- Do not sit on the pool lift when there is no water in the pool.
- For safety reasons, do not use in a situation where no one can help you in an emergency.
- Do not use without seat belt
- Do not use without activating the brakes.
- Press the emergency stop button in case of emergency

CHARACTERISTICS OF THE ASSEMBLY AREA

- Aquaccess Free can be used in outdoor or indoor pools.
- The distance between the wheels and the pool must be at least 20 cm.
- Please pay attention to the distance of the footrest in pools where depth does not exceed 140 cm.

MAINTENANCE AND STORAGE INSTRUCTIONS:

- Clean the lift with clean water only, do not use pool water.
- Wipe with a clean, soft, non-abrasive cloth.
- Do not expose the lift to electronic components or direct water pressure while cleaning the lift.
- Do not allow children to play with and around the lift.
- Do not store the lift in a place where it can suffer shocks and come into contact with chemicals

Aquaccess FREE - PERIODIC MAINTENANCE SCHEDULE

Maintenance Instructions	DAILY	WEEKLU	MONTHLY
Rinse with clear water and clean (Do not apply pressurized water directly to the electronic components of the lift)	✓		
Charge the battery	✓		
To ensure it runs smoothly, run the lift 1 time so that it completes its full motion without anyone on it.	✓		
Check the lift for damage, corrosion, loose or missing hardware.	✓		
Check all connection points and check that they are not damaged or corroded.		✓	
Clean, repair and remove dielectric grease from all parts. Check and apply.		✓	
Check warning labels and replace if worn			✓

USE OF AQUACCESS FREE:

ENTRY INTO THE SWIMMING-POOL

Step 1: Sit on the seat and fasten the seat belt

Step 2: Place your foot on the stand

Step 3: Make sure there are no obstacles or hazards along the lift area

Step 4: Hold the remote control and press the lift button (until it is pressed far enough for safety)

Step 5: Hold the remote control until the end of the lifting operation.

Step 6: Unfasten your seatbelt after the lift stops

Step 7: Please block the wheels with the brakes **as shown in the image below**



Please press this red button in case of emergency.



EXIT OF THE SWIMMING-POOL

Step 1: Sit and fasten the seat belt

Step 2: Place your foot on the stand

Step 3: Make sure there are no obstacles or hazards along the lifting area

Step 4: Hold the remote control and press lift stop button

Step 5: Hold the remote control until the lifting operation is complete

Step 6: Unfasten your seat belt after lifting stops

Step 7: Make sure the front wheels are away from the pool after stopping

SIMPLE PROBLEM SOLVING:

- **The pool lift does not move**

Solution 1: The control unit cable may be disconnected.

In this case, make sure that the cable from the device is connected to the control unit.

Solution 2: The connecting elements between the control unit and the actuator may be dislodged.

In this case, make sure that the connections between the control unit and the actuator are fully connected.

Solution 3: The battery may be discharged

The battery may be exhausted or out of order depending on its use.

In this case, try charging and re-using the battery until it is fully charged with the charger.

If after these steps, your problem is not solved, do not take any further action, please call our company for the necessary advice from the technical team. (Tel: 00.33.3 83 71 67 11)

CERTIFICATIONS

- Waterproof manual control (IP 66 standard)
- CE certificate
- ISO 9001 and ISO 13485 certificates

GARANTIE

Accessrec Europe offers a two (2) years warranty starting at the date of your Purchase Order. This warranty only covers manufacturing defects of the product. Alterations related to normal use are not considered as manufacturing defects. Damages caused by vandalism are not covered by the warranty.

The warranty does not cover:

- The normal use of Aquaccess Free
- Improper care, operation, maintenance and storage of Aquaccess Free
- An accident or natural disaster
- Modifications that have been made to Aquaccess Free without written consent of Accessrec Europe
- Repairs that have been made without written consent of Accessrec Europe

Maintenance and transport costs that can be necessary if reparations are required.

This warranty does not cover any labor or shipping charges that may be required if the Aquaccess Free frame needs to be replaced or repaired. If you are not satisfied with the conditions provided or the repairs that have been made, please contact AccessRec Europe directly. Products cannot be returned without the consent of AccessRec Europe. The two (2) year warranty is only applicable to the original purchaser.

REFERENCES



Aquaccess Free in Cannes, France



Aquaccess Free in Nancy, France